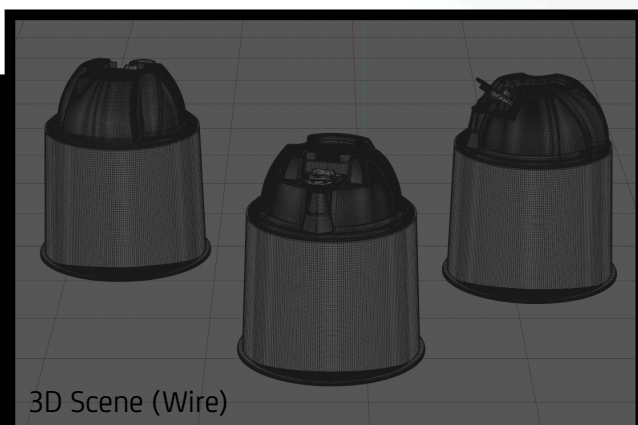




Final Render



3D Scene (Wire)

## Kaffeesahne 200g plastic packaging

Product Id Model\_0000534

### What's Included:

- Packaging Model in OBJ and FBX file formats
- Cinema 4D R16-18 Scene File (.C4D)
- Textures with layered TIFF file and UV-Mesh (4000x4000pix 300dpi), HDRI, Materials
- UV layout
- Renders

All Models Are High Poly



**FBX and OBJ file formats are compatible with software:**  
All Autodesk programs, such as: Maya, 3D Max, Mudbox, AutoCAD, Inventor, MotionBuilder, Revit, Softimage, Alias etc.; ZBrush, MODO, 3D Coat, Adobe Photoshop, Keyshot, Rhinoceros, SketchUp, NewTek Lightwave, Vue xStream, SolidWorks, Houdini, Blender, Unreal Engine etc.



©2017 WaldemarArt Design Studio/GERMANY [www.Waldemar-Art.com](http://www.Waldemar-Art.com)



